

XD120VT



XD120VT

Combination Vibratory Roller

XD120VT is suitable for compaction of soil and asphalt pavement in narrow areas such as sidewalks, parking lots and residential roads, it can also be used for compacting thin stable soil layering, which is an ideal compaction equipment for asphalt surface laminating in municipal maintenance and high-speed pipe maintenance.

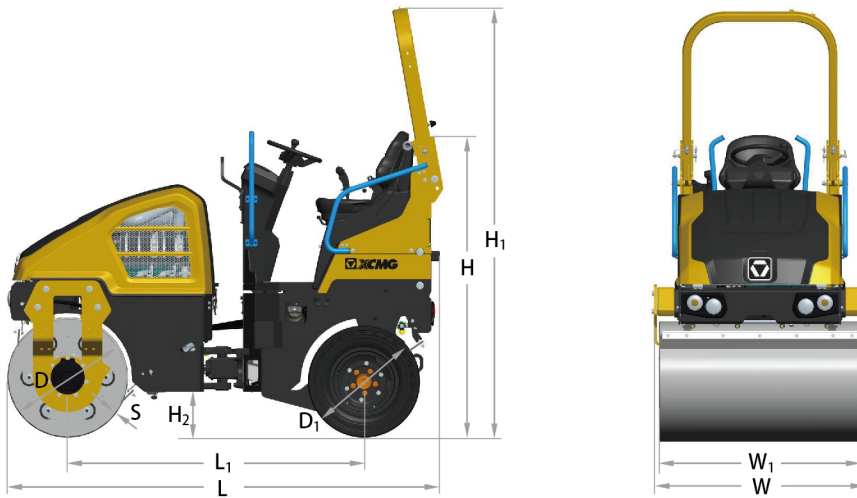
Performance and characteristics

- Front drum rear tires, vibration and rolling together to improve the quality of asphalt wearing course.
- 67Hz high frequency vibration, 720mm large diameter rollers, effectively improving the road evenness.
- Independent spraying system control for drum and tires, interval controlled sprinkling for prolonged operation.
- Drum and articulated frame are maintenance-free during the whole life cycle.
- Excellent side visibility, superior control experience.

Main dimensions

Unit: mm

Model	L	L1	W	W1	H	H1	H2	S	D	D1
XD120VT	2610	1773	1286	1200	1845	2575	275	12	720	670



Main specifications

Item	Content	Unit	XD120VT
Weights	Operating weight	kg	2650
	Maximum operating weight	kg	3250
	Front axle weight	kg	1350
	Rear axle weight	kg	1300
	Static linear load	N/cm	110
Maneuverability	Operating speed	km/h	0-10
	Gradeability	%	30
	Minimum turning radius(outer)	mm	3700
	Minimum ground clearance	mm	275
	Wheel base	mm	1773
	Steering angle	°	±32
Compaction parameters	Oscillation angle	°	±8
	Vibration frequency	Hz	63/67
	Nominal amplitude	mm	0.5
	Excitation force	kN	36/41
	Drum diameter	mm	720
Engine	Drum width	mm	1200
	Model	-	D1803
	Emission		EU Stage V/EPA TIER4f
	Rated power	KW	24.6
Capacities	Rated speed	r/min	2400
	Fuel tank	L	35
	Water tank	L	165+45