

XD140VT



XD140VT

Combination Vibratory Roller

XD140VT is suitable for compaction of soil and asphalt pavement in narrow areas such as sidewalks, parking lots and residential roads, it can also be used for compacting thin stable soil layering, which is an ideal compaction equipment for asphalt surface laminating in municipal maintenance and high-speed pipe maintenance.

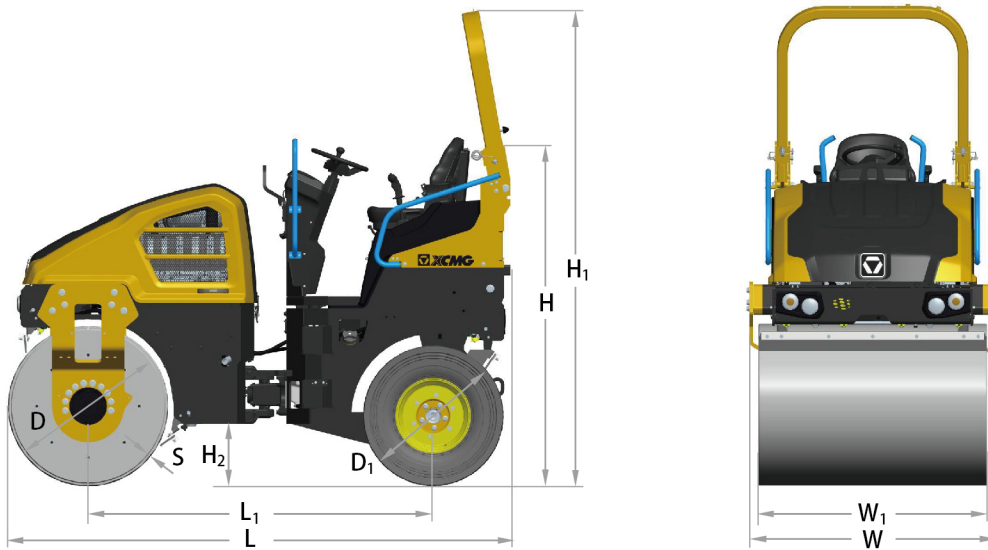
Performance and characteristics

- 60Hz high frequency vibration, 920mm large diameter roller, effectively improve the quality of compaction.
- Large-capacity water tank, interval controlled sprinkling for prolonged operation.
- Drum and articulated frame are maintenance-free during the whole life cycle.
- Sliding operation mechanism for more convenient edge compaction.

Main dimensions

Unit: mm

| Model | L | L1 | W | W1 | H | H1 | H2 | S | D | D1 |
|---------|------|------|------|------|------|------|-----|----|-----|-----|
| XD140VT | 2910 | 1980 | 1515 | 1380 | 1980 | 2720 | 350 | 16 | 920 | 810 |



Main specifications

| Item | Content | Unit | XD140VT |
|------------------------------|-------------------------------|-------|-----------------------|
| Weights | Operating weight | kg | 4000 |
| | Maximum operating weight | kg | 4100 |
| | Front axle weight | kg | 2100 |
| | Rear axle weight | kg | 1900 |
| | Static linear load | N/cm | 152 |
| Maneuverability | Operating speed | km/h | 0-12 |
| | Gradeability | % | 30 |
| | Minimum turning radius(outer) | mm | 4100 |
| | Minimum ground clearance | mm | 350 |
| | Wheel base | mm | 1980 |
| | Steering angle | ° | ±32 |
| Compaction parameters | Oscillation angle | ° | ±8 |
| | Vibration frequency | Hz | 53/60 |
| | Nominal amplitude | mm | 0.5 |
| | Excitation force | kN | 42/53 |
| | Drum diameter | mm | 920 |
| Engine | Drum width | mm | 1380 |
| | Model | - | V2403 |
| | Emission | | EU Stage V/EPA TIER4f |
| | Rated power | KW | 33.6 |
| | Rated speed | r/min | 2400 |
| Capacities | Fuel tank | L | 55 |
| | Water tank | L | 235+45 |